



# SVL56 HIGH FLOW

56 Frame In-Ground Pool Pump

POOL PUMPS

The extraordinary quietness of the SVL56 moves us nearer to the goal of silent operation, and it provides by far the best vertical lift. A true 56 frame motor ensures long life and uninterrupted power. Attention to detail is evident in the design of this all-new pump. Designed for easy serviceability and installation, the pump accepts either 2" or 2 1/2" plumbing connections and features dual bearings for cooler operating temperature. This pump will provide years of trouble-free performance.



**FEATURES:**

- Extremely quiet operation.
- High efficiency with maximum flow.
- Self-priming.
- Best vertical lift at 24 ft.
- Easy to service.
- True 56 frame motor for cooler running and longer life.
- 2 1/2" union threads x 2" FPT with unions (included).
- Large trap basket with cam-lock lid.
- 60 Hz rating.

## THE SVL56 IN-GROUND POOL PUMP

### ENERGY EFFICIENT - FULL RATED

Part No.	Description	Volts	H.P.	Wt. (lbs.)
SVL56E-110	1-Speed - 2" or 2 1/2" Intake and Discharge	115/230	1.0	40
SVL56E-115	1-Speed - 2" or 2 1/2" Intake and Discharge	230	1.5	44
SVL56E-120	1-Speed - 2" or 2 1/2" Intake and Discharge	230	2.0	48
SVL56E-130	1-Speed - 2" or 2 1/2" Intake and Discharge	230	3.0	52

### STANDARD EFFICIENCY - MAXIMUM RATED

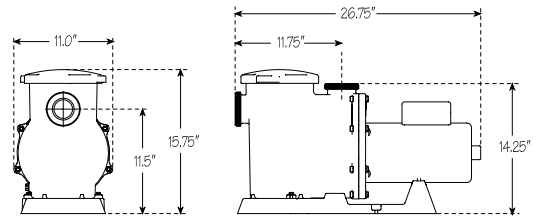
SVL56S-107	1-Speed - 2" or 2 1/2" Intake and Discharge	115/230	0.75	38
SVL56S-110	1-Speed - 2" or 2 1/2" Intake and Discharge	115/230	1.0	40
SVL56S-115	1-Speed - 2" or 2 1/2" Intake and Discharge	115/230	1.5	44
SVL56S-120	1-Speed - 2" or 2 1/2" Intake and Discharge	230	2.0	46
SVL56S-125	1-Speed - 2" or 2 1/2" Intake and Discharge	230	2.5	48
SVL56S-215	2-Speed - 2" or 2 1/2" Intake and Discharge	230	1.5	45
SVL56S-220	2-Speed - 2" or 2 1/2" Intake and Discharge	230	2.0	47
SVL56S-225	2-Speed - 2" or 2 1/2" Intake and Discharge	230	2.5	48

### PUMP UNIONS

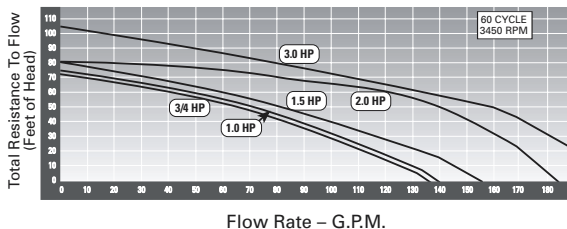
Part No.	Description	Color
400-6021B	2 1/2" Union x 2 1/2" Socket	Black
400-5971B	2 1/2" Union x 2" Socket	Black

**2 of Each Union Are Included With Pump**

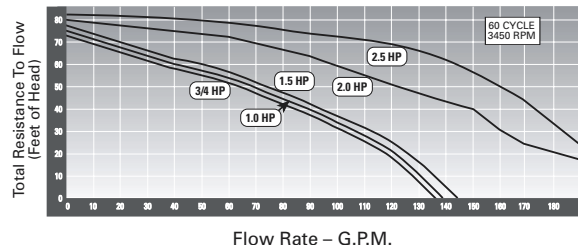
For replacement parts please see pages 64 & 65.



**ENERGY EFFICIENT HEAD PRESSURE VERSUS FLOW RATE**



**STANDARD EFFICIENCY HEAD PRESSURE VERSUS FLOW RATE**



# CLEARWATER II CARTRIDGE

Filter



MICRONS  
10 to  
15



**NEW  
BIGGER  
BODY**

Large filtration, small footprint, and high flow. ClearWater II Cartridge Filters incorporate wide-body filtration elements to give maximum filtration without sacrificing flow rate. Made of a durable glass-filled polymer, ClearWater II Cartridge Filters provide years of trouble-free performance. ClearWater II Cartridge Filters feature Waterway's Safety Lock Ring system to ensure safe operation and easy maintenance.

**FEATURES:**

- Wide-body filtration system.
- Durable glass-filled polymer filter body.
- 10 year warranty on filter body.
- 1½" clean out drain on 1½" FPT.
- Pressure gauge.
- Air relief plug.

Clearwater  
Cartridge Filters

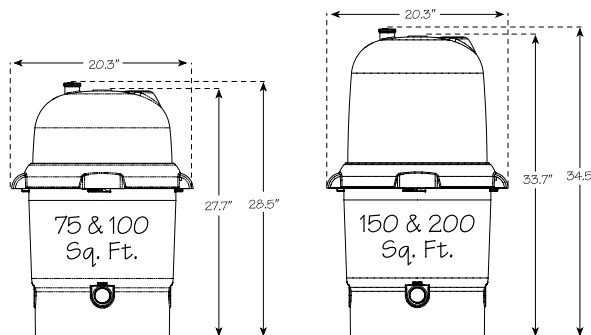
## CLEARWATER CARTRIDGE FILTER

1½" FPT Inlet & Outlet	Part No.	Area	Filtration Flow Rate	Pool Turnover		Wt. (Lbs.)
				6 Hrs.	8 Hrs.	
	FC075	75 Sq. Ft.	75 GPM	27,000	36,000	31
	FC100	100 Sq. Ft.	100 GPM	36,000	48,000	36
	FC125	125 Sq. Ft.	125 GPM	45,000	60,000	37
	FC150	150 Sq. Ft.	150 GPM	54,000	72,000	44
	FC200*	200 Sq. Ft.	150 GPM	54,000	72,000	46

\*Longer period between cleaning cycles

For 2" FPT, please see Pro-Clean on page 16.

For FPT Unions please see page 62.  
For replacement parts please see pages 76 & 77.



# CLEARWATER II CARTRIDGE

Standard Filter & Pump Pack



The Cartridge Filter and Pump Pack provides homeowners with everything they need to get their system up and running. It assures them of matched components and optimal performance with years of dependable service.

**FEATURES:**

- Large filtration, small footprint cartridge filter.
- Hi-Flo High Performance Pump.
- Large 6" trap with clear lid.
- (2) 1½" diameter hoses, with clamps.

**NEW  
BIGGER  
BODY**



For FPT Unions please see page 62.  
For replacement parts please see pages 76 & 77.



Clearwater  
Cartridge Filters

## STANDARD CLEARWATER CARTRIDGE FILTER & PUMP PACK

**WITH HI-FLO 1-SPEED PUMP**

Part No.	Filter	Filtration	Pump	H.P.	Volts
520-5100-3S	FC075	75 Sq. Ft.	PH1100-3R	1.0	115
520-5120-3S	FC100	100 Sq. Ft.	PH1100-3R	1.0	115
520-5140-3S	FC100	100 Sq. Ft.	PH1150-3R	1.5	115
520-5160-3S	FC150	150 Sq. Ft.	PH1150-3R	1.5	115

*3 foot cord - twist lock plug*

520-5100-6S	FC075	75 Sq. Ft.	PH1100-6R	1.0	115
520-5120-6S	FC100	100 Sq. Ft.	PH1100-6R	1.0	115
520-5140-6S	FC100	100 Sq. Ft.	PH1150-6R	1.5	115
520-5160-6S	FC150	150 Sq. Ft.	PH1150-6R	1.5	115

*6 foot cord - 3-wire NEMA (regular) plug*

**LESS PUMP WITH HOSES**

520-5100	FC075	75 Sq. Ft.
520-5120	FC100	100 Sq. Ft.
520-5160	FC150	150 Sq. Ft.

**SYSTEMS INCLUDE:**

- 2 hoses (1½" x 6 ft.).
- Hose fittings, hose clamps.
- 3 ft. cord twist lock plug, or 6 ft. cord NEMA plug.
- One-piece system base.

**SYSTEMS INCLUDE:**

- 2 hoses (1½" x 6 ft.).
- Hose fittings, hose clamps.
- One-piece system base.

# CAREFREE SAND

Top-Mount Sand Filter



Carefree Top-Mount Sand Filters are designed for extra sand holding capacity. Made of corrosion-proof polymeric thermoplastic. The Carefree Sand Filter offers the ideal combination of energy efficiency and excellent water clarity.

**FEATURES:**

- Large filter with extra sand-holding capacity.
- One-piece corrosion proof body.
- Fine-spray internal diffuser for even water distribution.
- 7-function, thread-on, top-mount 1½" FPT Multi-Port Valve.
- 1½" drain port.
- Mounting base included.

**OVERSIZE BODY  
FOR MORE SAND  
HOLDING CAPACITY**

Carefree  
Sand Filter

## STANDARD CAREFREE SAND FILTER & PUMP PACK

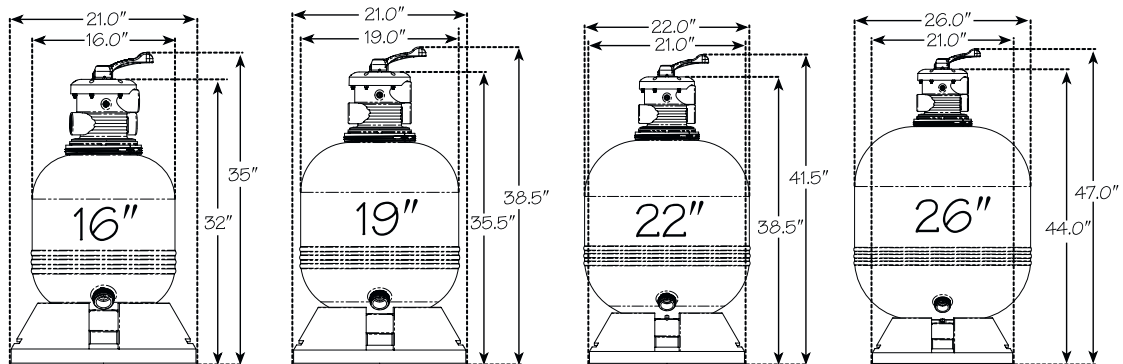
Part No.	Description	Valve Style (Included)	Filtration	Flow Rate	Pool Turnover		
					6 Hrs	8 Hrs	10 Hrs
FS01619	16" Dia. Filter w/Modular Base	1½" FPT Split-Nut	1.4 Sq. Ft.	35 GPM	12,600	16,800	21,000
FS01922	19" Dia. Filter w/Modular Base	1½" FPT Split-Nut	2.0 Sq. Ft.	45 GPM	16,200	21,600	27,000
FS02225	22" Dia. Filter w/Modular Base	1½" FPT Split-Nut	2.6 Sq. Ft.	55 GPM	19,800	26,400	33,000
FS02629	26" Dia. Filter w/Modular Base	1½" FPT Split-Nut	3.5 Sq. Ft.	70 GPM	25,200	33,600	42,000

For replacement parts  
please see pages 84 & 85.

## MULTI-PORT VALVE

WVS003 1½" FPT – For Carefree and Clearwater Sand Filters with Split-Nut

## MODULAR BASES



100 Lbs.

150 Lbs.

250 Lbs.

400 Lbs.

## SAND REQUIRED