



CLEARWATER SAND

Filter

MICRONS
15 to
20

Clearwater
Sand Filter

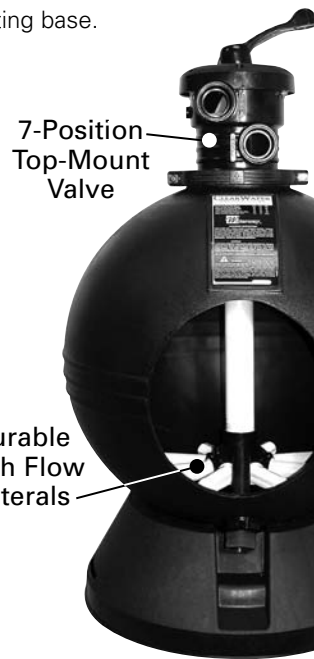
Base
Included



Rugged, corrosion proof, high filtration area, and one piece body. The ClearWater Sand filter features a seven function top mount valve for maximum control over the filter system, and easy-to-install snap-in & twist laterals with large surface area for maximum flow.

FEATURES:

- Durable roto-molded tank body is spherical to evenly distribute the pressure resulting in greater strength and longer life of the filter.
- Corrosion-proof body
- Fine spray internal diffuser for even water distribution.
- 7-function, thread-on, top mount 1½" Multi-Port Valve.
- 1½" drain port.
- Mounting base.



7-Position
Top-Mount
Valve

Durable
High Flow
Laterals

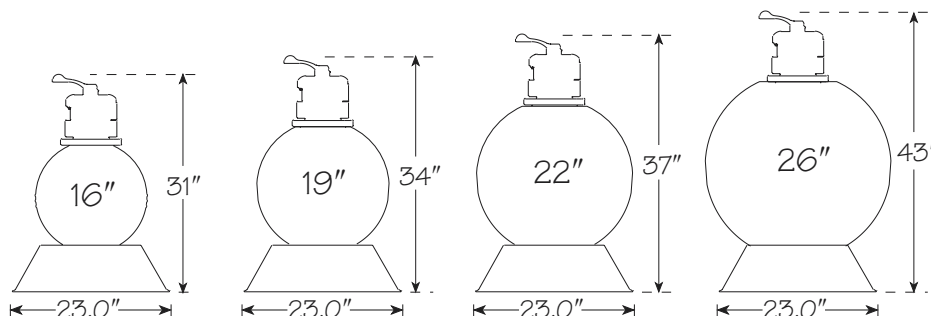
Spherically
Designed for
Maximum
Strength and
Longer Life

For replacement parts please see pages 86 & 87.

CLEARWATER SAND FILTERS

Part No.	Description	Filtration	Flow Rate	Pool Turnover		Wt. (Lbs.)
				6 Hrs.	8 Hrs.	
FS016	16" Dia. Filter	1.4 Sq. Ft.	35 GPM	12,600	16,800	25
FS019	19" Dia. Filter	2.0 Sq. Ft.	45 GPM	16,200	21,600	28
FS022	22" Dia. Filter	2.6 Sq. Ft.	55 GPM	19,800	26,400	34
FS026	26" Dia. Filter	3.5 Sq. Ft.	70 GPM	25,200	33,600	43

1½" FPT split-nut style clamp included.



SAND REQUIRED

50 Lbs.

100 Lbs.

150 Lbs.

200 Lbs.

TWM CARTRIDGE FILTER

Equipment Packs



The economical solution for filtering the above ground pool. Waterway's TWM (Total Water Management) package includes the pump, filter, hoses, and equipment pad.

FEATURES:

- 25, 50 or 100 sq. ft. cartridge filter with drain plug.
- Center discharge pool pump.
- 6 ft. NEMA (3-prong, grounded) cord, or 3 ft. twist lock cord.
- Two 6 ft. 1 1/2" hoses with connectors.
- Equipment pad.
- Optional trap.



TWM Sand Filters

OPTIONAL

TWM CARTRIDGE FILTER EQUIPMENT PACKS



LEAF TRAP
1 1/2" Union Nut x
1 1/2" FPT
310-5400
List Ea. \$63.67

Part No.	Description	H.P.	Volts	Wt. (Lbs.)
520-3040	25 Sq. Ft. Filter - 1-Speed Pump	1.0	115	34
520-3010	50 Sq. Ft. Filter - 1-Speed Pump	1.0	115	34
520-3030	100 Sq. Ft. Filter - 1-Speed Pump	1.0	115	37
3' Cord - NEMA (Regular 3-Prong) Plug				
520-4040	25 Sq. Ft. Filter - 1-Speed Pump w/Trap	1.0	115	36
520-4010	50 Sq. Ft. Filter - 1-Speed Pump w/Trap	1.0	115	36
520-4030	100 Sq. Ft. Filter - 1-Speed Pump w/Trap	1.0	115	39
3' Cord - Twist Lock Plug				
520-2980	25 Sq. Ft. Filter - 1-Speed Pump	1.0	115	34
520-4020	50 Sq. Ft. Filter - 1-Speed Pump w/Trap	1.5	115	36
3' Cord - Twist Lock Plug				

For replacement parts please see pages 90.

TWM SKIM FILTER

Equipment Packs

Economical filtration system for the above ground pool. Waterway's TWM Skim Filter (Total Water Management) package includes the pump, skimmer, filter, hoses, return, and equipment pad.

FEATURES:

- 25 or 50 sq. ft. Flo-Pro Skim Filter.
- Pool return.
- Center discharge pool pump.
- 6 ft. NEMA (3-prong - grounded) or 3 ft. twist lock cord.
- Two 6 ft. hoses with connectors.
- Equipment pad.
- Optional trap.



TWM SKIM FILTER EQUIPMENT PACKS

Part No.	Description	H.P.	Volts	Wt. (Lbs.)
520-2990	25 Sq. Ft. Skim Filter - 1-Speed Pump	1.0	115	34
520-2760	50 Sq. Ft. Skim Filter - 1-Speed Pump	1.0	115	35
Cord - NEMA Plug				
520-2750	50 Sq. Ft. Skim Filter - 1-Speed Pump	1.0	115	35
Cord - Twist-Lock Plug				

For replacement parts please see pages 88.



TWM SAND FILTER SYSTEMS

Equipment Packs

TWM Sand Filters



**16" Filter
1 H.P. Pump**

**19" Filter
1 H.P. Pump**

**22" Filter
1.5 H.P. Pump**

The economical solution for filtering with a sand filter on an above ground pool. Designed to handle virtually all sizes and conditions, the Waterway TWM Sand Filter systems will provide years of dependable filtration.

SPHERICAL TANK DESIGN EVENLY DISTRIBUTES PRESSURE AND STRESS RESULTING IN GREATER STRENGTH AND LONGER LIFE.

FEATURES:

- Filter, pump, hoses and fittings in one box
- Choice of tank and pump sizes
- Corrosion-proof sand filter tank
- 7 position Multi-Port Valve
- Center discharge pump with leaf trap



TWM SAND FILTER EQUIPMENT PACKS

<i>Part No.</i>	<i>Description</i>
520-1610	16" Sand Filter 1 H.P. Center Discharge Pump
520-1910	19" Sand Filter 1 H.P. Center Discharge Pump
520-1700	22" Sand Filter 1.5 H.P. Center Discharge Pump
	3' Cord - NEMA (Regular 3-Prong) Plug
520-1610-3	16" Sand Filter 1 H.P. Center Discharge Pump
520-1910-3	19" Sand Filter 1 H.P. Center Discharge Pump
520-1700-3	22" Sand Filter 1.5 H.P. Center Discharge Pump
	3 Ft. Cord - Twist-Lock Plug

Part No.	Sq. Ft.	GPM	Turnover		Lbs. Sand Required
			8 Hrs.	10 Hrs.	
520-1610	1.4	30	14,400	18,000	50
520-1910	2.0	42	20,160	25,200	100
520-1700	2.5	50	24,000	30,000	150

For replacement parts please see pages 89.